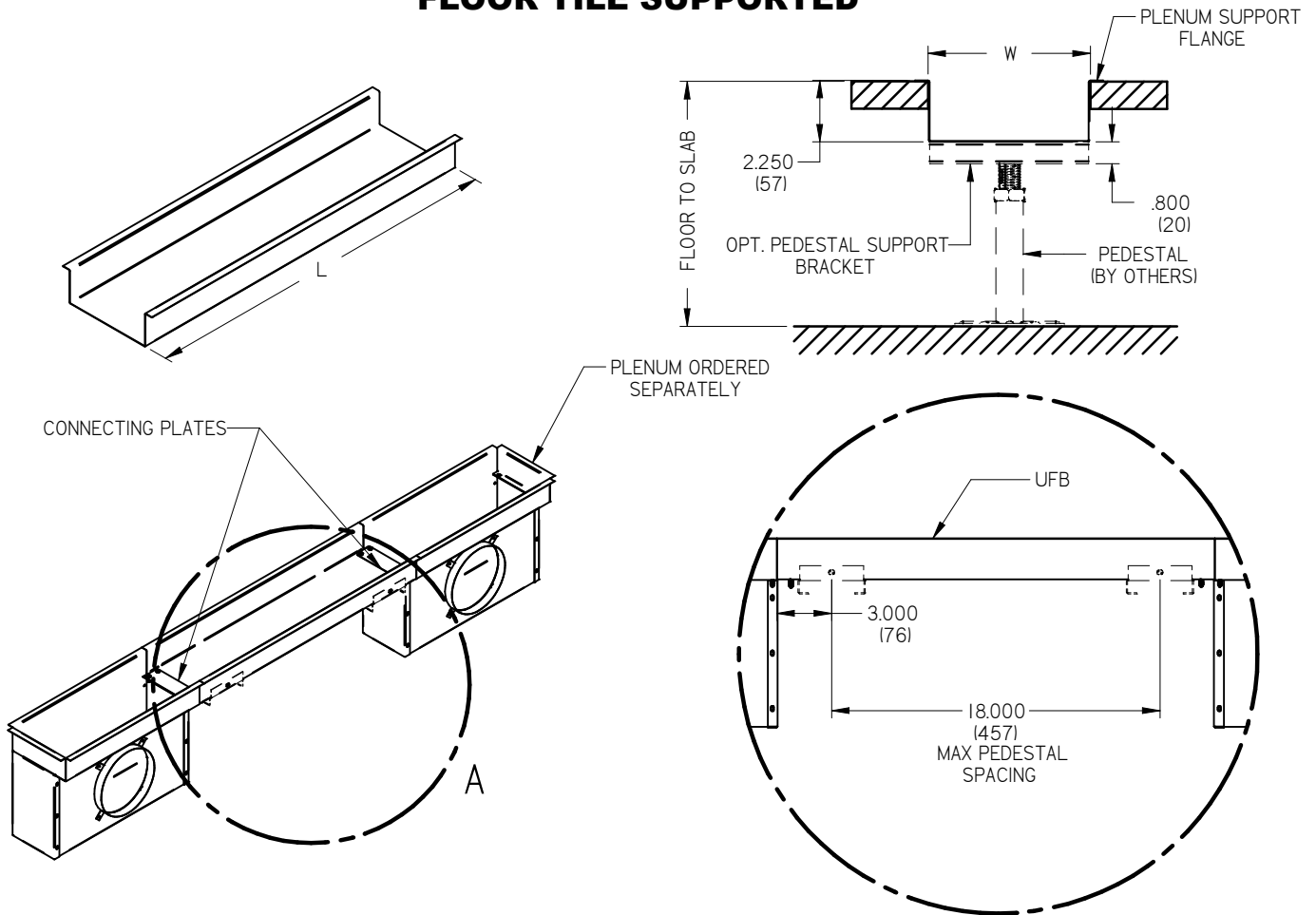


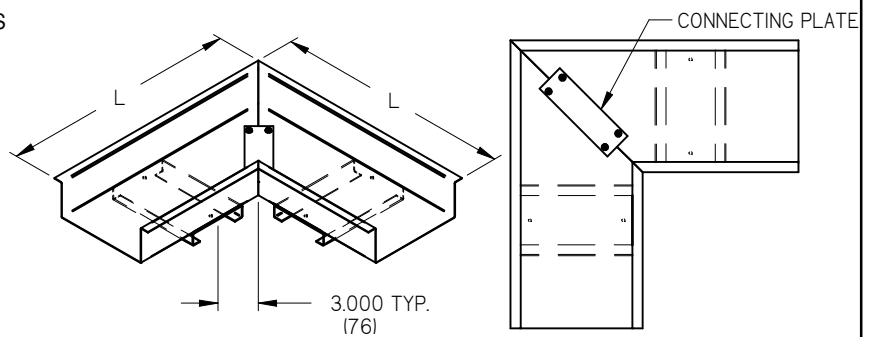
**UFB - UNDERFLOOR BLANK OFF
FLOOR TILE SUPPORTED**



- NOTE:**
- NOMINAL SIZE (L X W) = ROUGH OPENING
 - UFB WITH LFG INSTALLED IS DESIGNED TO WITHSTAND LIGHT FOOT TRAFFIC
 - DROP - IN INSTALLATION FROM ABOVE FLOOR
 - CONNECT TO THE PLENUM WITH CONNECTING PLATES (BY PRICE) AND SCREWS (BY OTHERS)
 - SEALING AT JOINT LOCATIONS BY OTHERS
 - MC90 SHIPPED IN TWO PIECES TO BE JOINED TOGETHER IN THE FIELD WITH CONNECTING PLATES

- CONSTRUCTION:**
- LENGTH = L
 - WIDTH = W - 0.125" (3)
 - 20 GAUGE STEEL CONSTRUCTION
 - BLACK FINISH

- PEDESTAL BRACKETS OPTION:**
- PEDESTAL SUPPORT BRACKETS SUPPLIED BY PRICE
 - PEDESTAL & PEDESTAL HEAD SUPPLIED BY OTHERS
 - PEDESTAL SUPPORT BRACKETS INSTALLED BY OTHERS

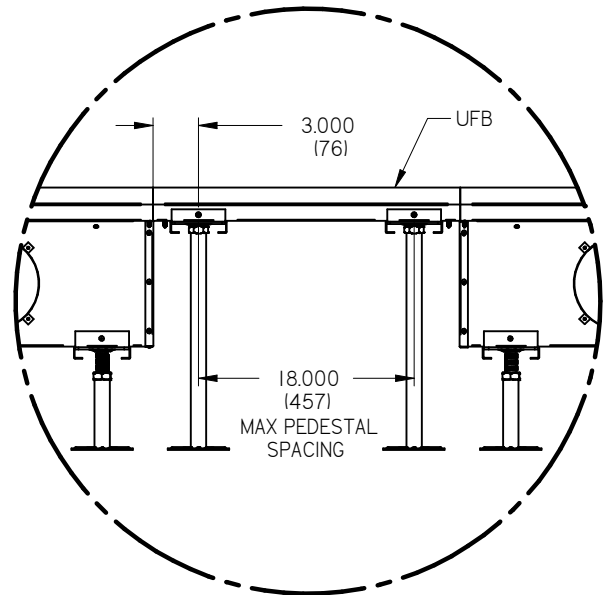
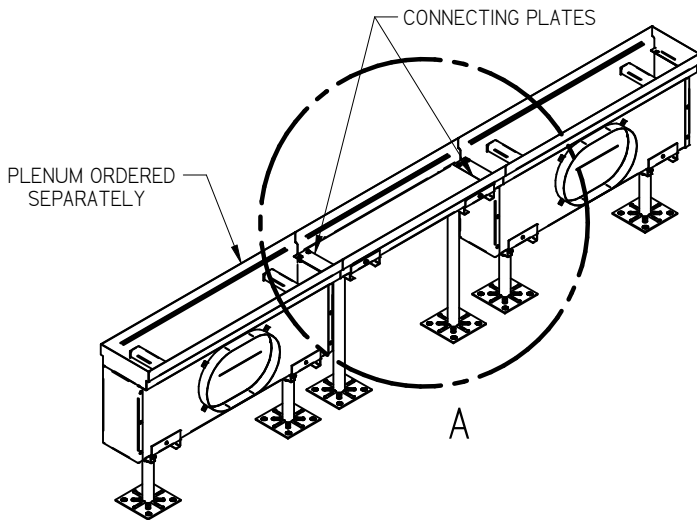
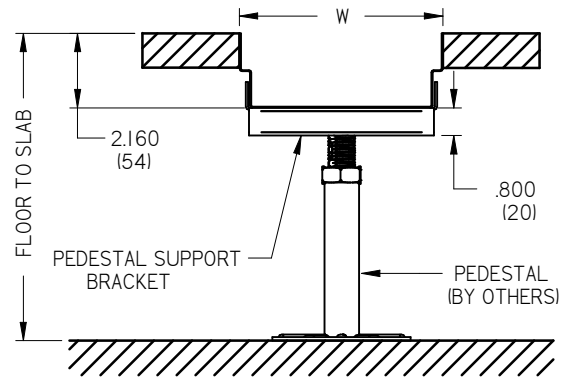
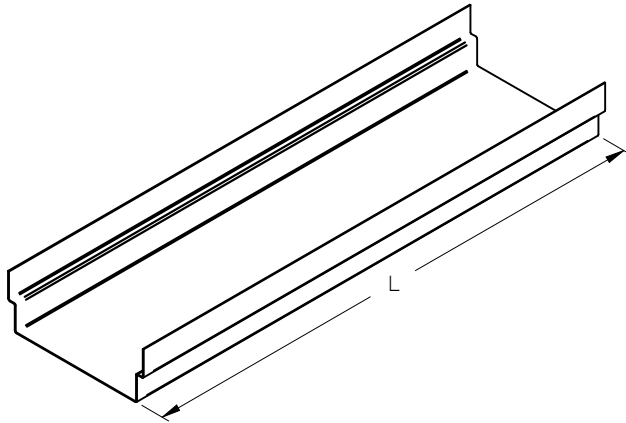


MC90 - 90° MITRED CORNER

ALL METRIC DIMENSIONS () ARE SOFT CONVERTED. IMPERIAL DIMENSIONS ARE CONVERTED TO METRIC AND ROUNDED TO THE NEAREST MILLIMETER.

PROJECT:		PRICE	
ENGINEER:		NS	UFB UNDERFLOOR BLANK OFF FLOOR TILE SUPPORTED 1000 STYLE
CUSTOMER:		269683	
SUBMITTAL DATE:	SPEC. SYMBOL:	2020-04-09	

**UFB - UNDERFLOOR BLANK OFF
125/187 STYLE**



NOTE:

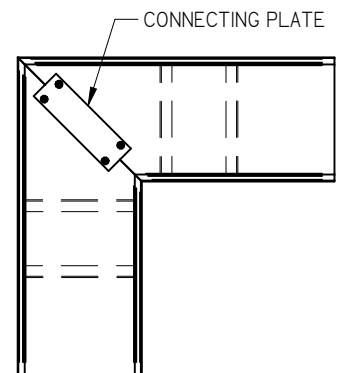
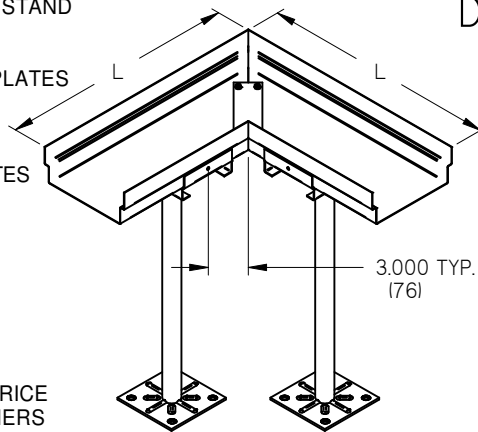
- NOMINAL SIZE (L X W) = ROUGH OPENING
- UFB WITH LFG INSTALLED IS DESIGNED TO WITHSTAND LIGHT FOOT TRAFFIC
- DROP-IN INSTALLATION FROM ABOVE FLOOR
- CONNECT TO THE PLENUM WITH CONNECTING PLATES (BY PRICE) AND SCREWS (BY OTHERS)
- SEALING AT JOINT LOCATIONS BY OTHERS
- MC90 SHIPPED IN TWO PIECES TO BE JOINED TOGETHER IN THE FIELD WITH CONNECTING PLATES

CONSTRUCTION:

- LENGTH = L
- WIDTH = W - 0.125" (3)
- 20 GAUGE STEEL CONSTRUCTION
- BLACK FINISH

PEDESTAL SUPPORT BRACKETS:

- PEDESTAL SUPPORT BRACKETS SUPPLIED BY PRICE
- PEDESTAL & PEDESTAL HEAD SUPPLIED BY OTHERS
- PEDESTAL SUPPORT BRACKETS INSTALLED BY OTHERS



MC90 - 90° MITRED CORNER

ALL METRIC DIMENSIONS () ARE SOFT CONVERTED. IMPERIAL DIMENSIONS ARE CONVERTED TO METRIC AND ROUNDED TO THE NEAREST MILLIMETER.

PROJECT:		PRICE	
ENGINEER:			
CUSTOMER:		269684	UFB UNDERFLOOR BLANK OFF PEDESTAL SUPPORTED 125/187 STYLE
SUBMITTAL DATE:	SPEC. SYMBOL:	2020-04-09	